

# ELLISSE FLOOR/WALL

*Federico Palazzari*

Collection of LED pendants, floor/wall lamps available in different versions: major, minor, double, triple and mega provides a direct or indirect diffused light.

In extruded aluminum in different versions: matt lacquered in the finishes, white, black and gold, natural polished and gold polished anodized.

Equipped with an opal diffuser.

The lamps are made using a proprietary extrusion coupling technology.

Ellisse Major is also available as floor or wall versions and is provided with a black marble base or a wall hook accessory.



# LED

## LAMPING

Source	linear LED
Total power	66W
Emission	diffused orientable
Switching	dimmable
Tension	110/240V
Color temperature	2700K
Luminous flux	3450lm
Typ CRI	85
Energy class	A+
Materials	Aluminium
Notes	dimmer on cable, cable length 5m, base and wall hanger to be ordered separately

Accessories Base, black marquinia marble | Wall hanger, aluminium gold polished anodized

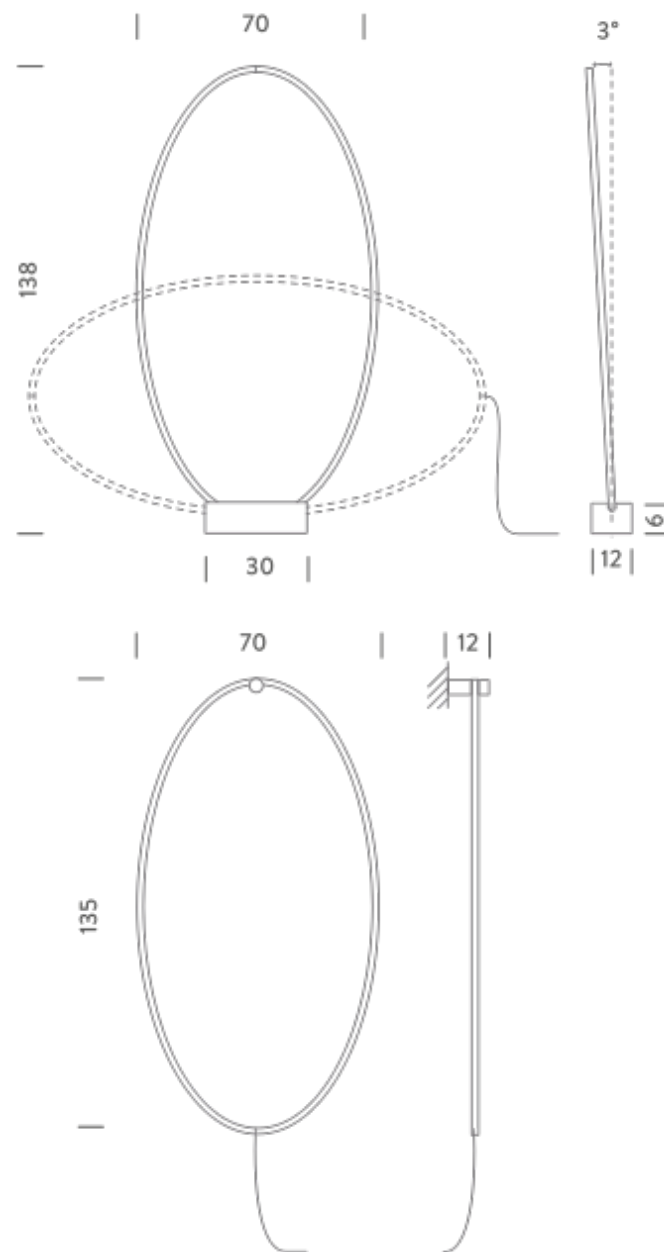
Net lamp weight 5 kg

<b>Codes</b>	<b>Structure/Diffuser</b>
ELP LNN 21	black/white
ELP LGN 21	gold polished anodized/white

## PACKAGE

Package 01 Dimension: 15x80x150 cm / Gross weight: 7,5 kg

## Certificazioni



## ACCESSORY:

base

wall hanger

